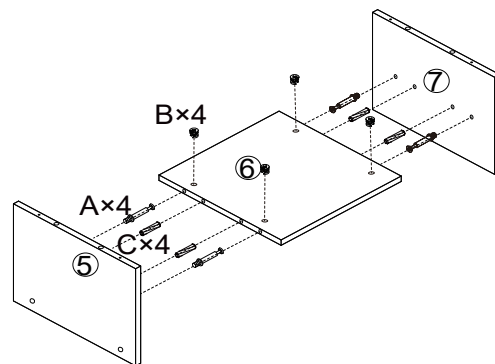
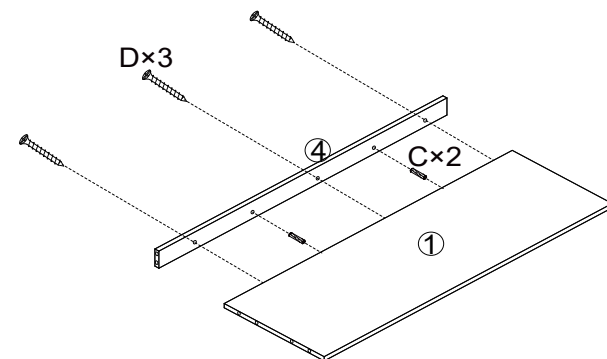


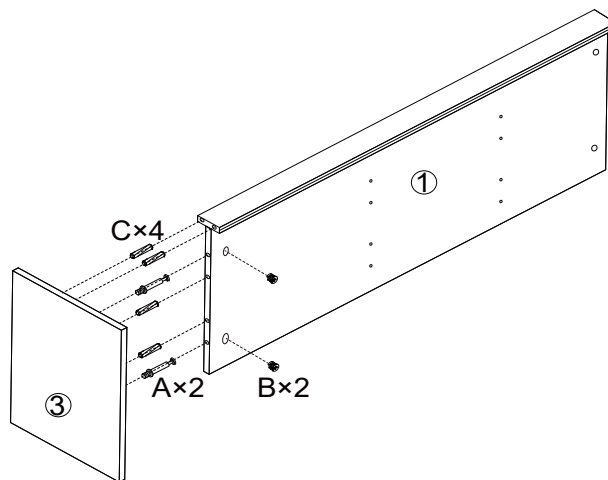
1 Attach piece 5 & 7 to piece 6 using wooden dowels (C), cam dowels (A) and cam locks (B).



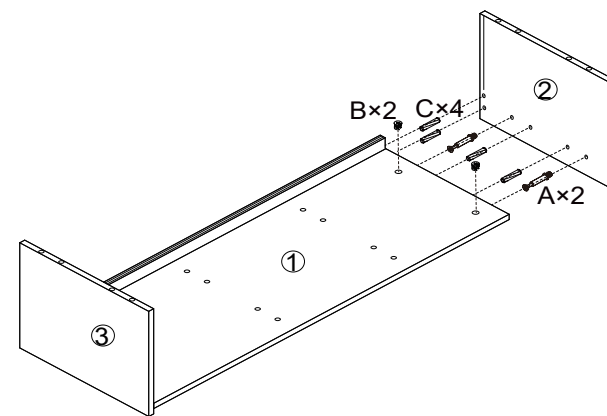
2 Attach piece 4 to piece 1 using wooden dowels (C), screws (D).



3 Attach piece 3 using wooden dowels (C), cam dowels (A) and cam locks (B).



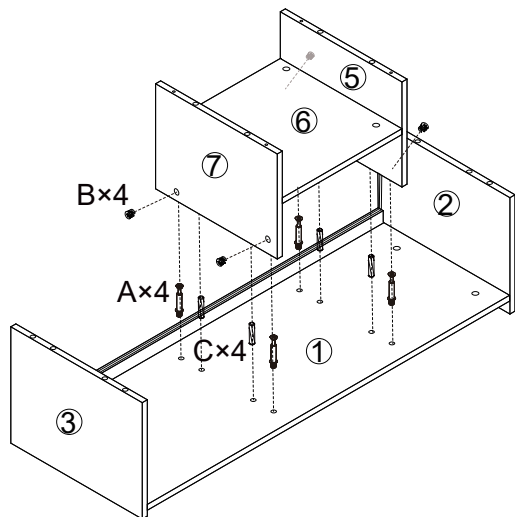
4 Attach piece 2 using wooden dowels (C), cam dowels (A) and cam locks (B).



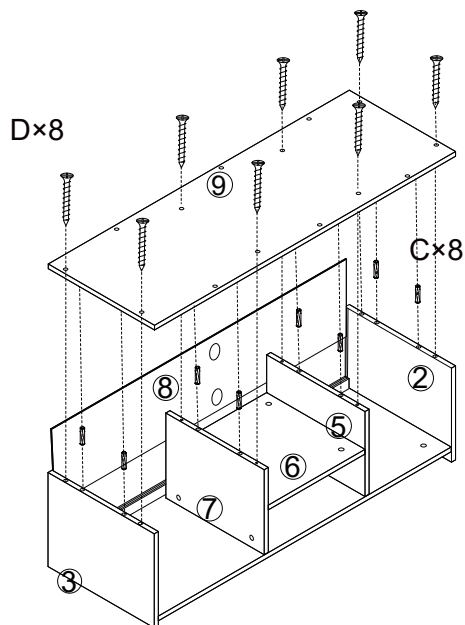
A		12
B		12
C		26
D		11
E		6
F		4
G		4
H		16

5

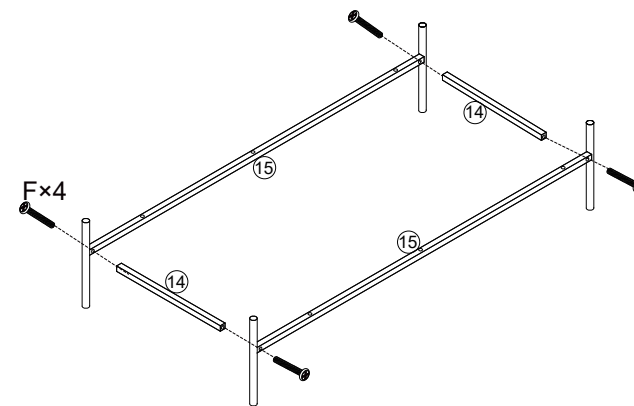
Attach 2 sections using wooden dowels (C), cam dowels (A) and cam locks (B).

**6**

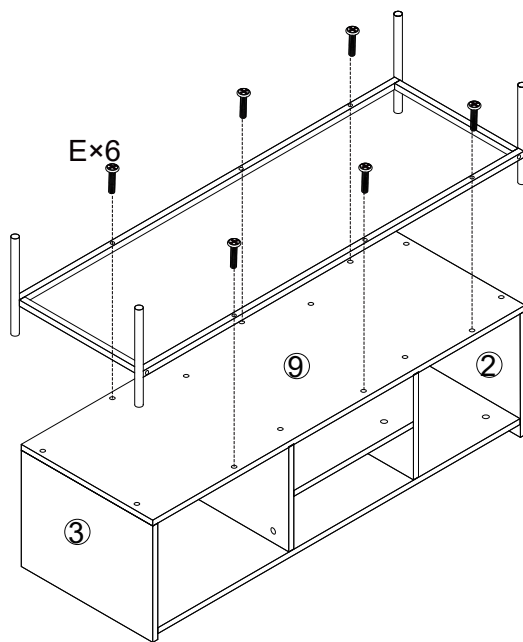
Slot piece 8 into the ridges. Attach piece 9 to the unit using wooden dowels (C), screws (D).

**7**

Attach piece 13 to piece 12 using screw (F) as shown.

**8**

Attach 2 section using screw (E).

**9**

Turn the unit the right way up. Attach piece 10 & 12 to unit using screws (H), adjust the hinge (G) as shown to ensure the door in right position.

